

5-STATION 90° BI-DIRECTIONAL ROOF SEAMER FIELD GUIDE

Part# 50590

9.14.23



Contact us at 1-888-343-0456 or online at www.diroofseamers.com

D.I. Roof Seamers
915 Highway 45
Corinth, MS 38834

****READ COMPLETELY BEFORE OPERATION OF MACHINE OR TOOLS****

Safety Regulations set forth by the Occupational Safety and Health Act, local, state, and/or federal agencies should always be adhered to.

IMPORTANT INFORMATION

- This Roof Seamer has been set up for your specific panel profile. Never use this machine on any other panel or profile.
- Do not attempt to alter or modify the machine in any way.
- Follow all safety suggestions and warnings in this guide as well as those posted on the machine itself.
- It is recommended to “seam as you go”. In other words, seam the panels as they are being installed. This helps ensure that each panel is kept within module and installed correctly. If you cannot “seam as you go”, the order of seaming should follow the order of panel installation. The first panel installed should be the first panel seamed.
- Use only D.I. Roof Seamers hand crimpers.
- Use heightened attention when seaming the first few seams, until a pattern of properly seamed ribs is established. Then, follow the same process on similar seams. Again, use heightened attention if conditions change, such as different support types, clip spacing, or roof slope.
- For additional information, visit www.diroofseamers.com

IMPORTANT

Required extension cord size:

Distance (FT)	0-100	100-200	200-300
Wire Gauge (AWG)	10	8	6

SCAN OUR QR CODES FOR FURTHER INFORMATION



Operational Videos



D.I. Roof Seamers App

This is a bi-directional 90° Roof Seamer. It will complete the 90° (Single Lock) seam in a single pass. You simply engage it on the hand-crimped portion of the seam, set the directional switch to the proper direction, and switch the power on. **(IMPORTANT: Be sure to set direction of travel before applying power.)** It is important to remember to use extreme caution when reaching the edge of the roof. Stop and disengage the locking handles of the seamer while the wheels remain on the roof panel.

“Bi-Directional Seamer” means that the seamer can run from eave to ridge or ridge to eave. When this type of seamer reaches the end of the panel, you can simply place it on the next panel and send it back in the opposite direction of the previous seam.

Do not run the seamer within 6” of the end of a panel without using extreme caution. Hand crimping in this area may be necessary if there are safety concerns or risks. Use your hand crimpers to finish any area that the seamer may not be able to complete such as the ridge cap area, end lap, or pitch change in the roof. Hand crimpers can be rented from D.I. Roof Seamers.

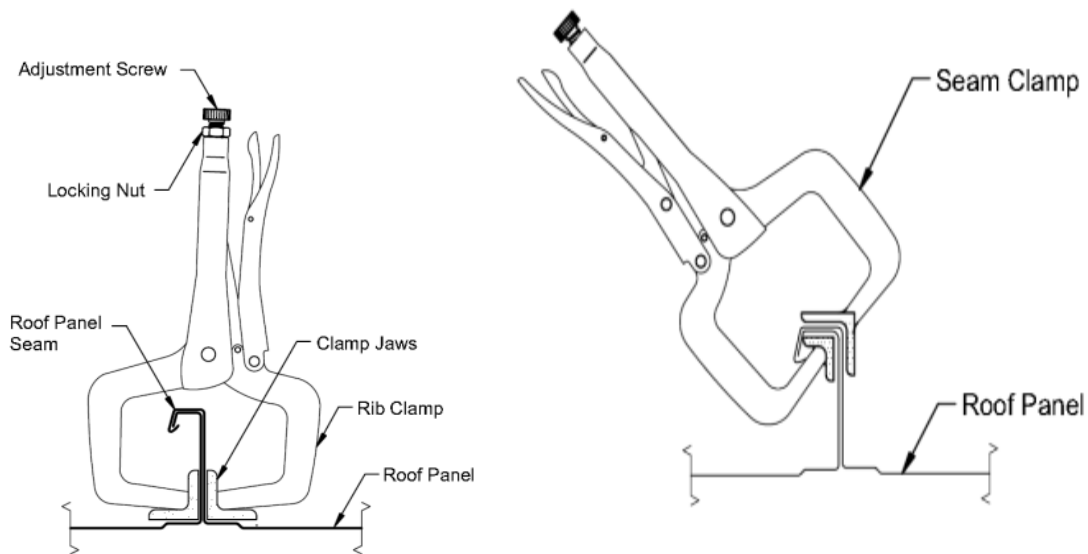
Your 5-Station Roof Seamer motor requires a 20-amp, 120-volt AC power supply. Poor performance and motor damage can result from the use of an improper power supply.

Note: Images used in this guide are for representation purposes only and may not be exact to your job.

STEP 1

Before beginning, ensure that the panels are installed correctly and are free of all debris and contaminants such as sand, snow, excessive fluids, sealant/mastic, tools, extension cords, etc. Keep a safety tether attached to the seamer anytime it is on the roof to prevent it from falling off. Failure to do so could result in machine damage, serious injury, and/or death.

Note: The machines tether point is not intended to arrest the machine during a free fall from the roof.

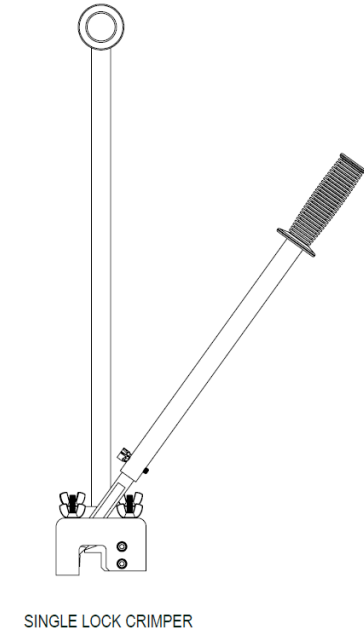


STEP 2

Hand crimping at the beginning of each panel is required to start the seamer. Some panel manufacturers require that each panel clip be crimped to a 90° seam before seaming. Please contact D.I. Roof Seamers to rent the correct crimpers for your panel profile.



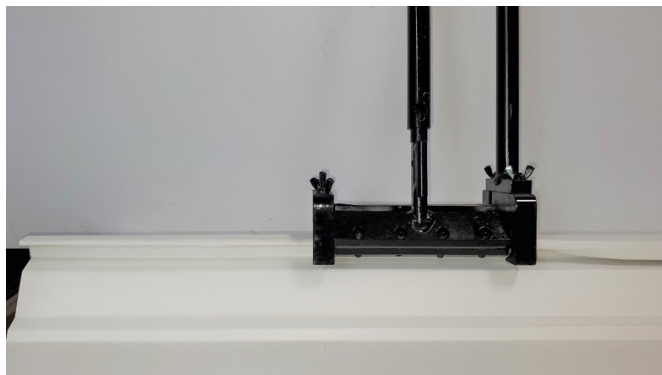
Note: In cases where there is vertical separation between the male and female panel legs crimping to 90° periodically along the seam may be necessary prior to running the electric seamer.



CRIMPING PROCEDURE

Hand crimp the beginning of each panel for a minimum of 10" to prepare it for the seamer.

Failure to follow these crimping procedures will potentially result in damage to the machine and/or the panel. When finished, your crimp should be identical to the one shown below.



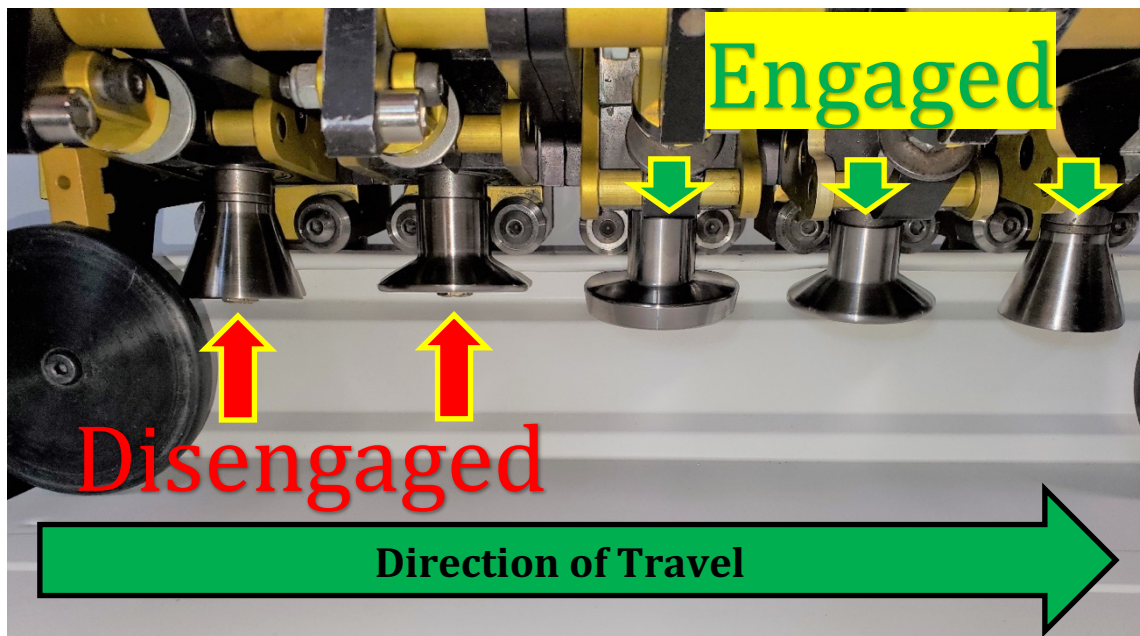
DO NOT OVER-CRIMP. THIS WILL DAMAGE THE CRIMPER.

STEP 3

Place the machine on the hand-crimped portion of the panel as shown below, then engage by pulling the 3 leading handles into the locked position.

Note: On this bi-directional machine the three leading handles must always be engaged to complete the 90° seam.

The seamer must be engaged in this manner. Failure to do so will result in panel damage.



STEP 4

Connect the power supply to the quick-release plug near the handle of the machine, set the directional switch to the proper direction, and switch the power on. Run the seamer approximately 12" to ensure that you are receiving the desired seaming operation. If there are any issues, stop immediately and **contact D.I. Technical Support at 1-888-343-0456.**

Note: The roof seamer may leave dark forming marks on light-colored panels. This is acceptable as long as the paint finish is not damaged. Marks can be rubbed off by hand – DO NOT use solvents that will soften or remove paint.

MAINTENANCE REQUIREMENTS

- This machine requires daily cleaning. Additional cleaning may be required based on job site conditions. It is imperative that tooling is kept clean and free of debris.
- When not in use, always store your roof seamer in a dry place to prevent damage to the machine. **NEVER** operate it in inclement weather, such as rain, thunder, lightning, or snow.
- Each day that the seamer is to be used, ensure tooling bolts are tight to 25 ft-lbs. before the beginning of any seaming.
- If you need D.I. Technical Support, please **contact us at 1-888-343-0456.**

